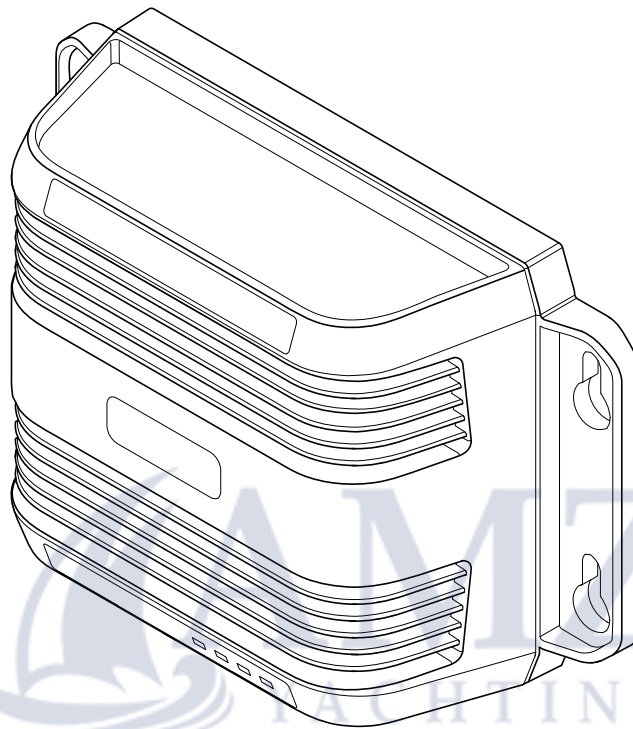
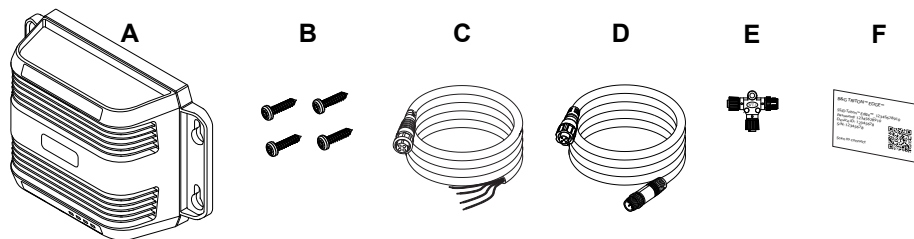




TRITON™ EDGE™ INSTALLATION GUIDE



Parts included



- A Triton™ Edge™ sailing processor
- B Mounting screws
- C Power cable
- D NMEA 2000® cable (0.6 m/2 ft)
- E NMEA 2000® tee connector
- F Connection details card

Mounting

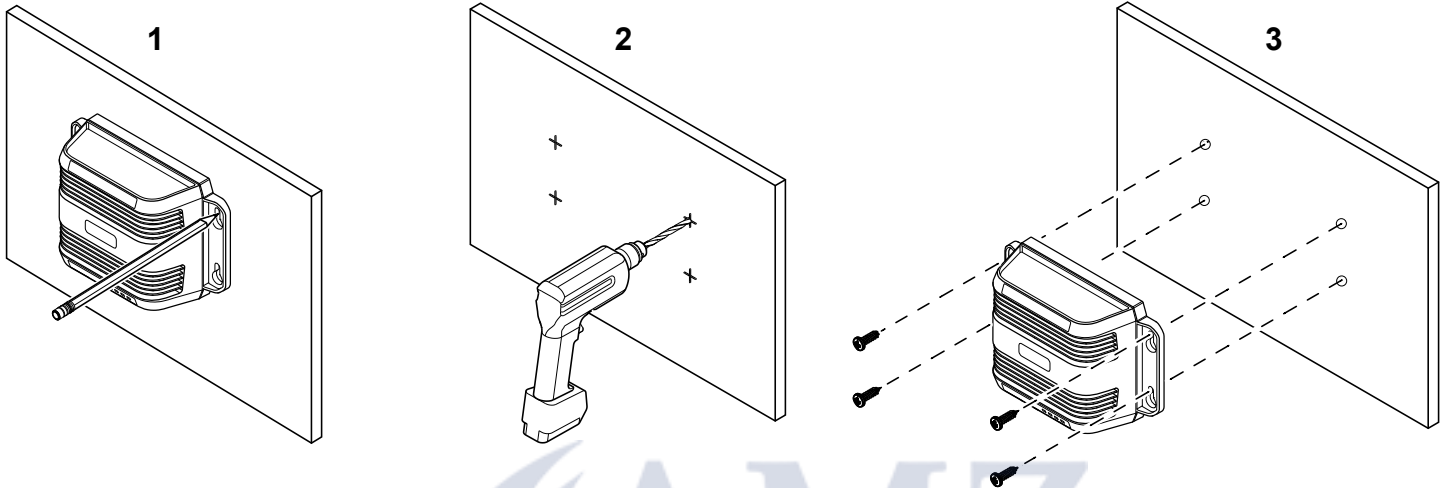
Secure the Triton™ Edge™ vertically, with its cable exits facing down. To allow access to the cables, ensure there is at least 15 cm (5.9") of clearance between the connectors and the surface underneath them. Installation in an engine compartment is *not* recommended because the environment is hot and electrically noisy.

To prevent interference between the unit and the vessel's compass(es), ensure the unit is at least 50 cm (20") away from any compass.

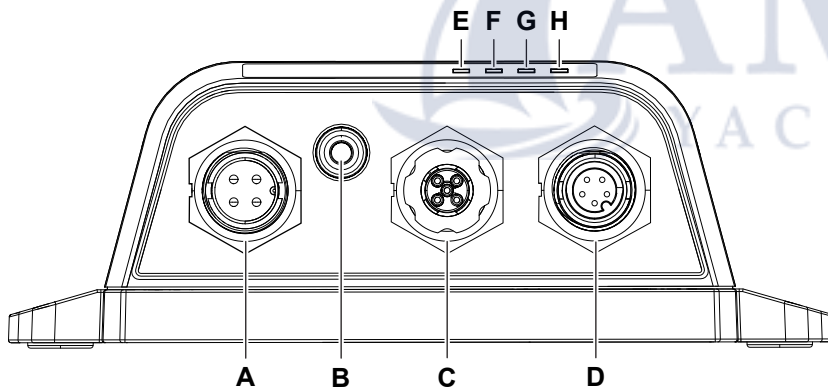
It may be helpful to check the strength of the unit's Wi-Fi® signal at different locations on the vessel before choosing its permanent position.

Mark the hole positions (1), drill pilot holes (2); and fix the sailing processor into position with the four supplied self-tapping screws (3).

→ **CAUTION:** Always wear appropriate eyewear, ear protection and dust mask when drilling, cutting, or sanding. Remember to check the reverse side of all surfaces whenever drilling or cutting.



Connecting the Triton™ Edge™



Connectors

- A Power
- B Earth-ground connection point
- C NMEA 2000®
- D Ethernet

Status LEDs

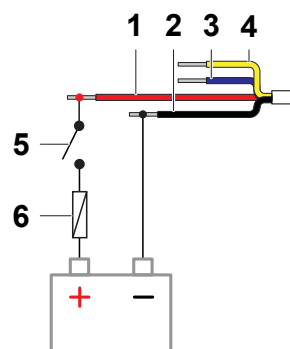
- E Power (steady green when powered. Red when restarting)
- F NMEA 2000® (rapid flicker on data transfer)
- G Ethernet (rapid flicker on data transfer)
- H Wi-Fi® (steady blue when hotspot is on)

Power (A)

The unit is designed to be powered by a 12 V or 24 V DC source. A 1 A fuse, or circuit breaker, should be fitted to the positive terminal of the power supply.

Connect the red and black wires in the power cable to the positive and negative terminals of the power supply, respectively.

The blue and yellow wires are not used. Wrap their ends with insulating tape to prevent short circuits.



Power cable

1. 12/24 V DC (red)
2. Ground/negative (black)
3. Not used (blue)
4. Not used (yellow)
5. Switch
6. Fuse

Earth-ground connection point (B)

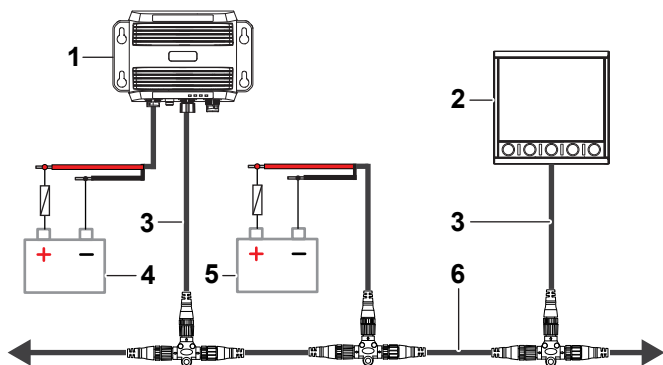
Your vessel may accumulate static charge through friction with the air. To prevent a damaging discharge through the NMEA 2000® network, use a conducting wire to connect the Earth-ground connection point (B) on the Triton™ Edge™ to a point on the hull that is in electrical contact with the water. This will ground the unit and network via a bleed path, allowing excess charge to dissipate safely. This precaution is recommended if you are using a wired NMEA 2000® wind sensor or mast head unit, however, may not be required for a wireless wind sensor.

NMEA 2000® (C)

Use the NMEA 2000® connector (C) with the drop cable and tee connector (supplied) to connect the Triton™ Edge™ to your vessel's NMEA 2000® network. The network should already have a dedicated 12 V DC power supply, protected by a 3 A fuse.

The following guidelines apply:

- the length of a single drop cable must not exceed 6 m (20 ft). The total length of all drop cables combined must not exceed 78 m (256 ft).
- terminators must be installed at each end of the backbone.
- the total length of the network must not exceed 100 m (328 ft).



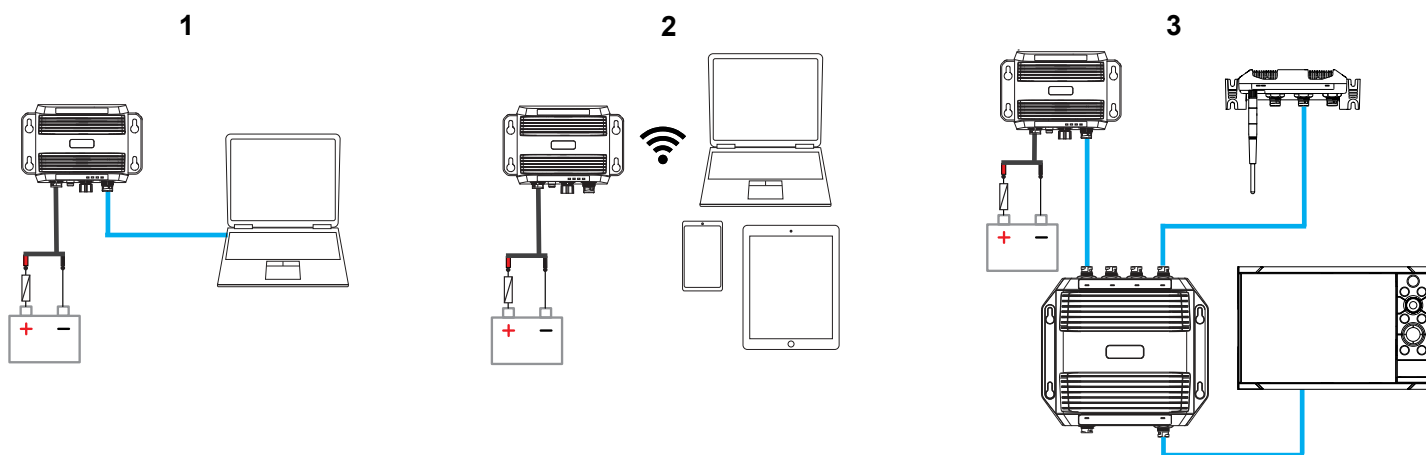
1. Triton™ Edge™
2. NMEA 2000® display or sensor
3. NMEA 2000® drop cable
4. Power supply for Triton™ Edge™
5. Power supply for NMEA 2000® network
6. NMEA 2000® backbone

Ethernet (D)

Use the Ethernet port (D) to connect the Triton™ Edge™ to a display or computer, or to an Ethernet expansion device on a network.

It is also possible to connect to the sailing processor wirelessly, using its Wi-Fi® hotspot. Refer to the Quick Start Guide for instructions.

Examples of system configurations



1. Connected to a laptop via Ethernet
2. Connected to mobile devices via hotspot
3. Connected to an Ethernet expansion device

Webserver, registration, and starting up your system

Refer to the Quick Start Guide for instructions about how to access the Triton™ Edge™ webserver; how to register the unit; and how to get started.

Technical specifications

Environmental

Operating temperature range	-15°C to 55°C (5°F to 131°F)
Storage temperature	-40°C to 85°C (-40°F to 185°F)
Waterproof rating	IPX6 and IPX7

Electrical

Supply voltage	12/24 V DC (9.0–31.2 V DC)
Recommended fuse rating	1 A
Maximum power consumption	4 W

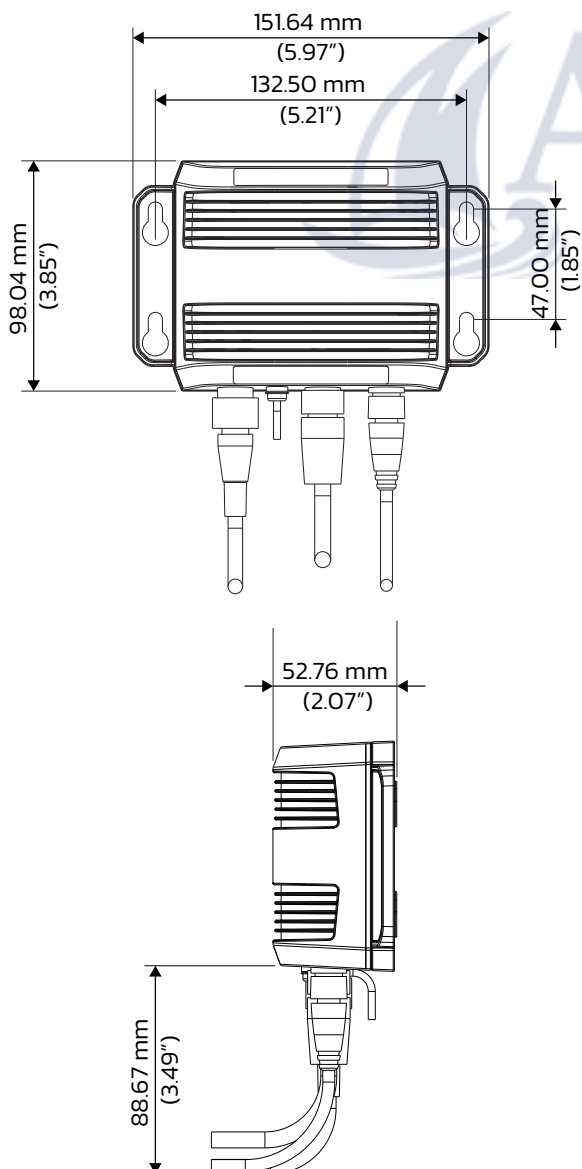
Physical

Weight	0.26 kg (0.57 lb)
--------	-------------------

Interface/Connectivity

NMEA 2000®	1 port (Micro-C connector)
Ethernet	1 port (100BASE-T, 5-pin Ethernet connector)
Wi-Fi® internal	802.11 b/g/n

Dimensions



Disclaimer and acknowledgment

Do not rely on any application in this product as your primary source of navigation. Review the manual and its warnings, limitations, and disclaimers in full before using this product. By proceeding, you acknowledge that you have done so and that you are trained, qualified, and licensed (where required) to properly and safely operate and navigate the vessel. This product is not a substitute for proper training and prudent seamanship.

The operator remains fully responsible for the safe operation of the vessel and the safety of all passengers and those in the water.

The user assumes all liability for operation and associated risks.

Compliance statements

Declarations

The relevant declarations of conformity are available at www.bandg.com.

United Kingdom

This product complies with UKCA under The Radio Equipment Regulations 2017.

Europe

Navico declare under our sole responsibility that the product conforms with the requirements of CE under RED 2014/53/EU.

United States of America

Navico declare under our sole responsibility that the product conforms with the requirements of Part 15 of the FCC Rules. Operation is subject to the following two conditions: (1) this device may not cause harmful interference, and (2) this device must accept any interference received, including interference that may cause undesired operation.

WARNING

The user is cautioned that any changes or modifications not expressly approved by the party responsible for compliance could void the user's authority to operate the equipment.

Note: This equipment generates, uses and can radiate radio frequency energy and, if not installed and used in accordance with the instructions, may cause harmful interference to radio communications. However, there is no guarantee that the interference will not occur in a particular installation. If this equipment does cause harmful interference to radio or television reception, which can be determined by turning the equipment off and on, the user is encouraged to try to correct the interference by one or more of the following measures:

- Reorient or relocate the receiving antenna.
- Increase the separation between the equipment and receiver.
- Connect the equipment and the receiver on separate circuits.
- Consult the dealer or an experienced technician for help.

ISED Canada

This device complies with ISED (Innovation, Science and Economic Development) Canada's license-exempt RSSs. Operation is subject to the following two conditions: (1) This device may not cause interference; and (2) This device must accept any interference, including interference that may cause undesired operation of the device.

La traduction française de ce document est disponible sur le site Web du produit.

Australia and New Zealand

Navico declare under our sole responsibility that the product complies with the requirements of level 2 devices for:

- Radiocommunications (Electromagnetic Compatibility) standard 2017.
- Radiocommunications (Short Range Devices) Standard 2014.

Trademarks

©Reg. U.S. Pat. & Tm. Off, and ™ common law marks. Visit www.navico.com/intellectual-property to review the global trademark rights and accreditations for Navico Holding AS and other entities.

Copyright

Copyright © 2022 Navico Holding AS.

Warranty

The warranty card is supplied as a separate document. In case of any queries, refer to <https://www.bandg.com/help--support/warranty/>.